

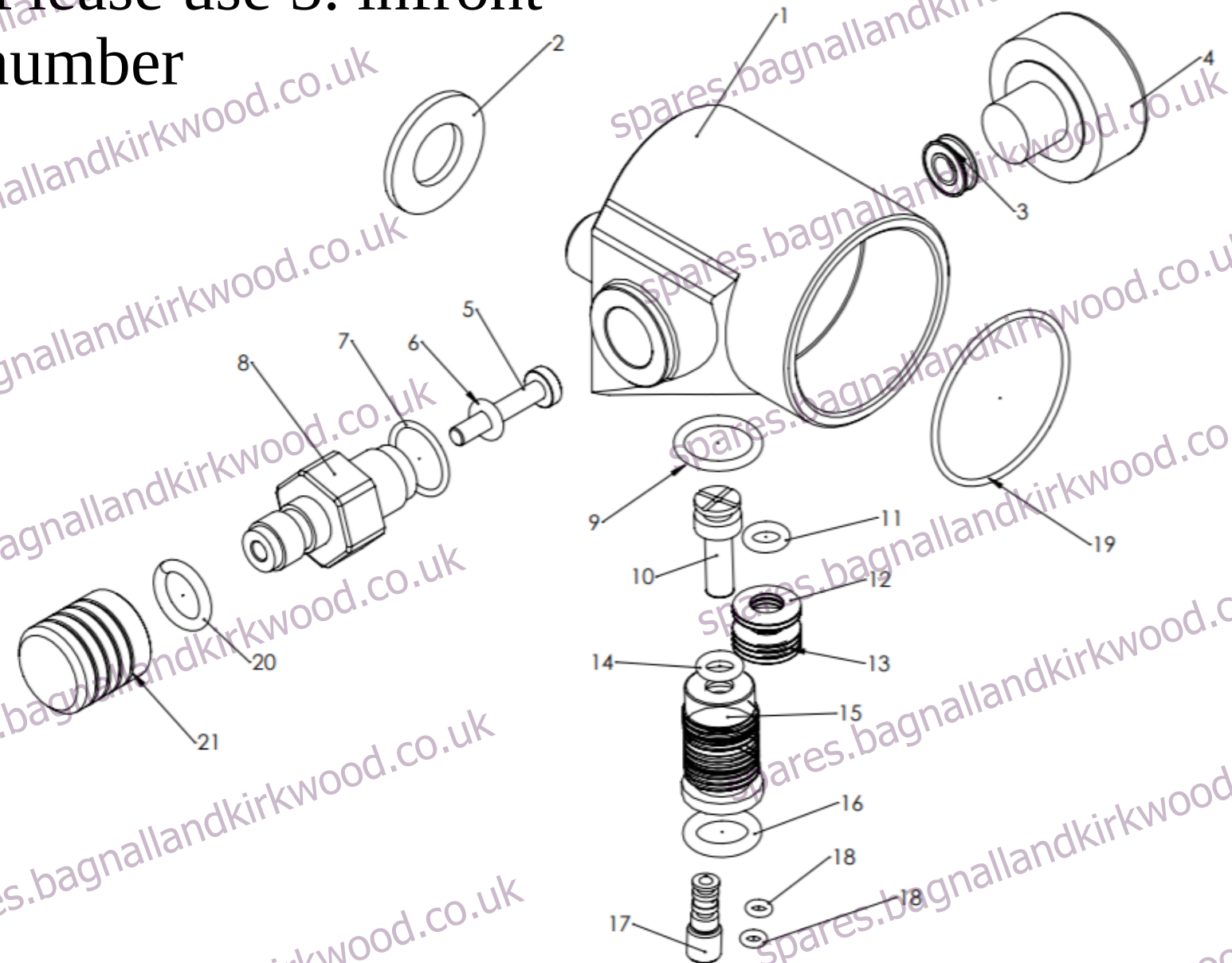
**Bagnall & Kirkwood**

Position	Description	Art. No.	Position	Description	Art. No.
1	Pressure gauge 25mm Plastic 1/8"	11505	40	Countersunk Screw	2504
2	Dust Cover	19544	41	Grub Screw	12035
3	Tube end pressure gauge	20080	42	Safety pivot Bullpup	20056
3.1	Plastic washer 2mm 1/8"	5005	42.1	Safety lever 32,5mm	19860
3.2	O-ring BK131.7	19484	42.2	Safety knob	11200
3.3	O-ring BK128.3	19485	42.3	Grub screw	19742
3.4	O-ring BK44	19109	43	Cup point grub screw	2562
3.5	Countersunk screw M4x8 Torx	11511	44	Cylindrical pin	11502
4	Barrel cpl., see drawing F10061-Dreamline Barrel kit		45	Pellet probe Dreamline .177	20060
5	Tube 34x360 (.177, .22)		45	Pellet probe Dreamline .22	20061
5	Tube 34x475 (.25, .30)	19831	45	Pellet probe Dreamline .25	20062
6	Regulator Airtube adjustable. - See drawing F10056	20199	45	Pellet probe Dreamline .30	20063
7	O-ring BK128.3	19485	46	Hammer V7	19039
8	Valve holder Dreamline, until ser.no. 194000	20037	47	Hammer weight cal. .177, until ser. No. 194000	19215
9	Spring 0,5x4x20, until ser.no. 194000	19850		Hammer weight addition cal. .177, until ser. No. 194000	18041
10C	Valve pin Dreamline Complete, until ser.no. 194000	20135	47	Hammer Weight cal. .22, .25, .30, until ser. No. 194000	17003
10	Valve Pin Dreamline, until ser.no. 194000, included in complete valve pin	20036	47	Hammer weight, after serial No. 194000, cal. .177, .22, .25	19215
11	Holder Valve seal, included in complete valve pin	2041			
12	Gasket SHP, included in complete valve pin		47	Hammer weight cal. .30, after serial no. 194000	17003
12	Valve gasket 7.4x3x5x2.9 Impact, from ser.no. 0101759, included in complete valve pin 20153C-1		48	Hammer spring V2	11500
13	O-ring BK5, also included in complete valve pin	2528	49	Hammer spring adjuster (only on Classic model)	11541
14C	Valve seat SHP Complete, until ser.no. 0101759	19060	50	Cylindrical pin	11510
14C	Valve seat Complete, after serial no. 0101759	2024C	51	Carrier Dreamline	20058
15	O-ring BK58.2, also included in valve seat complete 19060		52	Grub screw	16092
15	O-ring BK71.5, also included in valve seat complete 2024C		53	Cylindrical pin	19026
16	O-ring BK128.3	19485	54	Linkage Crown	19935
17	Grub screw	19846	55	Cylindrical pin	19213
18	Grub screw	19955	56	Socket head cap screw	11060
19	Cylindrical pin	19601	57	Side lever handle handle B2-WC-1M	19611
20	X-ring Ex28.7	19762	58	Magnet 5x4mm	20055
21	Pressure gauge 23mm	19772	59	Side lever Dreamline	20064
22	Main block Dreamline, until serial no. 190310 use art.no. 20020	20126	60	Screw M3 (special)	19034
23	Power adjuster, outer, until serial no. 190310 use art.no. 20034	20125	61	Grub screw, until ser. No. 190310	2637
24	Power adjuster Crown, until serial no. 190310 use art.no. 19915	20123	62	Spring 0,5x2,5x6,1 ... until ser. No. 190310	11501
25	Countersunk screw	16104	63	Steel ball, until ser. No. 190310	4066
26	O-ring Ex87.4	19956	64	N/A	
27	O-ring BK57	19953	65	Countersunk screw, after ser. no. 190310	5208
28	Power adjuster inner, Crown, until serial no. 190310 use art.no. 19922	20124	66	Grub screw, after ser. no. 190310	2562
29	N/A	N/A	67	Steel ball, after ser. No. 190310	4066
30	Trigger sear V7,8,12	19177	68	Spring 0,5x2,5x6,1 ... after ser. No. 190310	11501
31	Spring 0,5x2,5x6,1	11501	69	Grub screw, after ser. no. 190310	2562
32	Steel ball	11527	70	Cover Valve Pin long, HP, after ser.no. 194000	20152
33	Spring 0,32x3,2x14,4	11504	70	Cover Valve pin long, 10I, 12Ft, after ser.no. 194000	20175
34	Trigger Wheel	11525	71	O-ring BK97.2, after ser.no. 194000	12045
35	Grub screw	19742	72	O-ring BK14, after ser.no. 194000	5111
35.1	Grub screw	11508	73	Springseat, after ser.no. 194000	19038
36	Adjuster screw 2:st stage, soft	11062	74	Spring 0,6x4x60, after ser.no. 194000	20180
37	Triggercatch Dreamline, standard	20033	75	Valvepin Dreamline long complete, after ser.no. 194000 until ser.no. 0101759	20153C-1
38	Trigger pin	19809	75	Valvepin Dreamline long complete, after ser.no. 0101759	20153C-1
39	Adjustable Trigger blade	19136	76	Barrel support Dreamline	20162
			77	O-ring	20159

MATERIAL:			REVISION 2		SCALE:1:2	SHEET 0/1
DRAWN	NAME	DATE	CHANGE DATE			



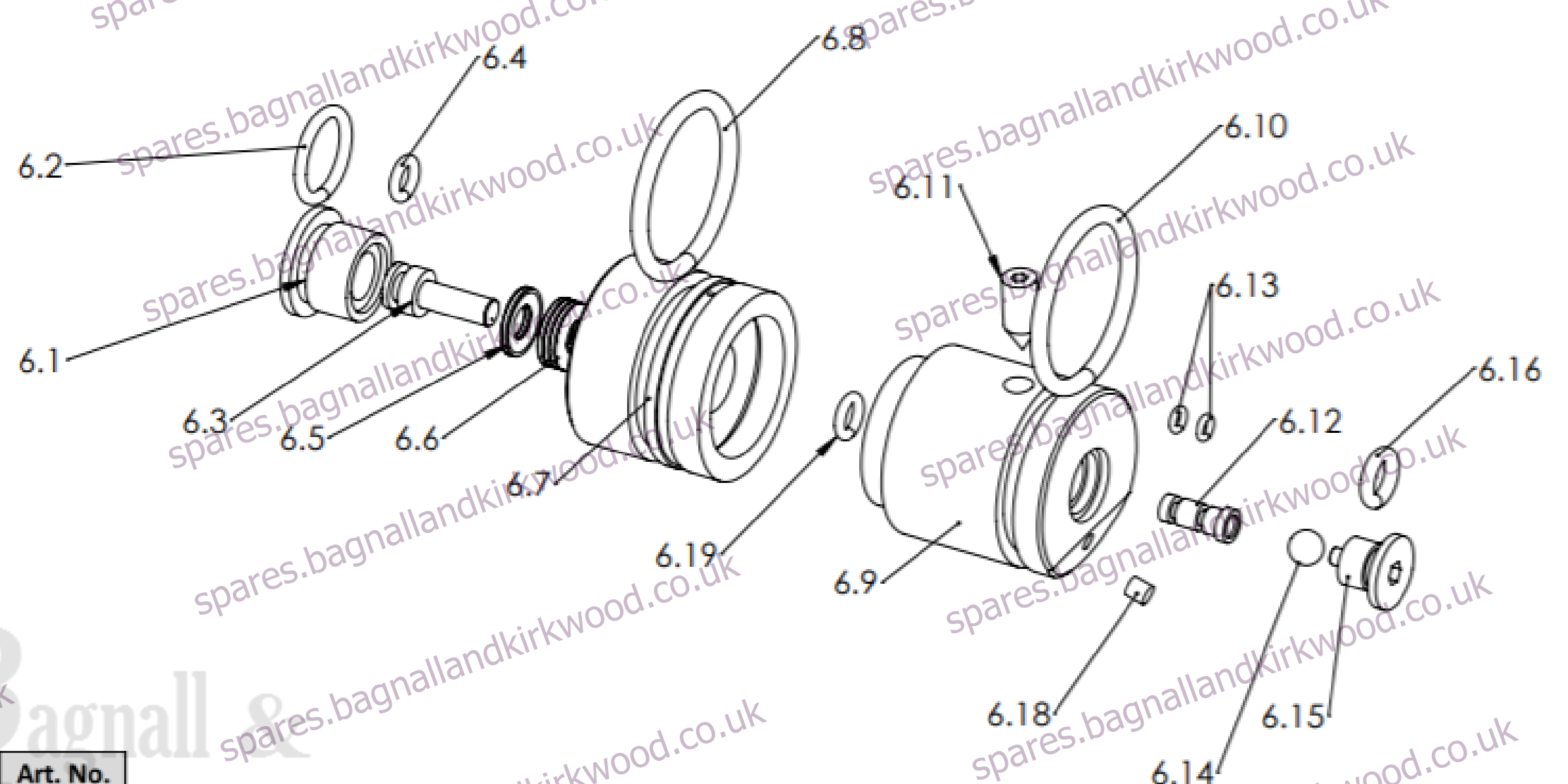
# Regulator Unit – Bottle Rifles – Please use 5. in front of each number



Art. No.  
20032

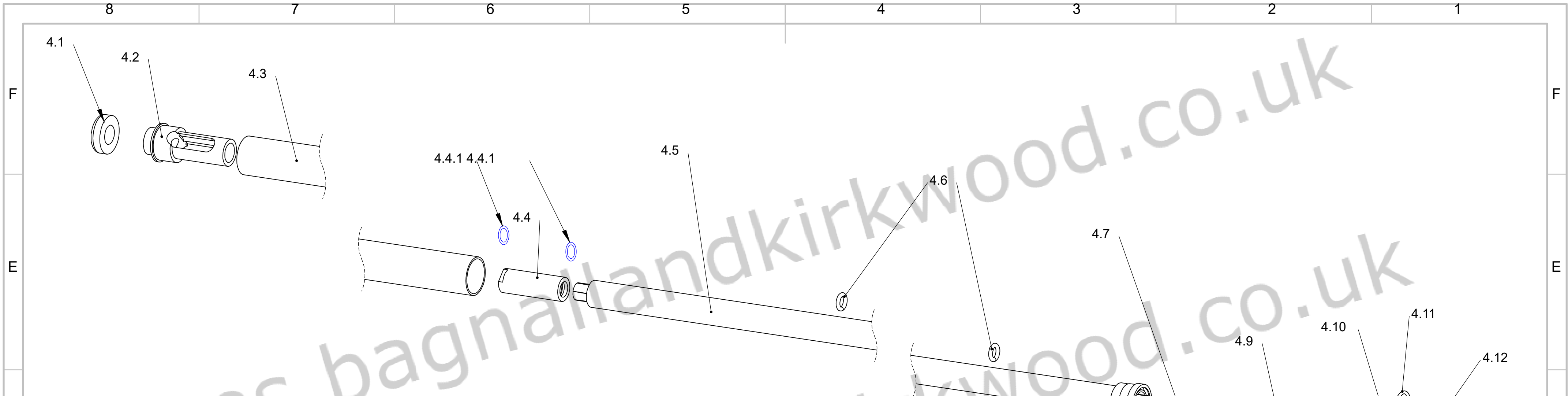
Position	Description	Art. No.
1	Air bottle adapter Dreamline	20122
2	Rubbersteel BKD-MESS	11507
3	X-ring EX28.7	19762
4	Pressure gauge 23mm	19772
5	Inlet valve rod "blue"	19005
6	O-ring BK23.3	5107
7	O-ring BK81.1	19720
8	Quick connector male	16303
9	O-ring BK82.1	19790
10	Regulator rod	19696
11	O-ring BK33	19109
12	Washer 10x4,2x0.6	2572
13	Washer 10x4,2x0.5	2570
14	O-ring BK33	19109
15	Regulator house	19697-1
16	O-ring BK65.8	19225
17	Regulator screw	19695
18	O-ring BK10.7	19731
19	O-ring BK134.5	5132
20	O-ring BK69	4528
21	Dust Cover - Quick Connection	19910

# Regulator Unit – Cylinder Type



Position	Description	Art. No.
6.1	Regulator rod holder	20032
6.2	O-ring BK87.9	5121
6.3	Regulator piston, long, May 2017	19696
6.4	O-ring BK33	19109
6.5	Washer 10x4,2x0,5	2570
6.6	Washer 10x4,2x0,6	2572
6.7	Regulator house, upper	20027
6.8	O-ring BK128.3	19485
6.9	Regulator house, lower	20028
6.10	O-ring BK128.3	19485
6.11	Regulator adjusting screw	20030
6.12	Regulator screw	20029
6.13	O-ring BK10.7	19731
6.14	Steel ball	12017
6.15	Plug Regulator	20031
6.16	O-ring BK50	19332
6.17	N/A	
6.18	Grub Screw	16092
6.19	O-ring BK33	19109





Position	Description	Art. No.	Position	Description	Art. No.
4.1	Muzzle-thread cover	19821	4.8.1	O-ring	BK97.2
4.2	Compensator .177	19807	4.9	Barrel Attachment .177	19960
4.2	Compensator .25	19810	4.9	Barrel Attachment .22	19961
4.3	Shroud 20x470	19868	4.9	Barrel Attachment .25	19962
4.3	Shroud 20x585	19867	4.9	Barrel Attachment .30	19963
4.4	Liner Lock .177	19968	4.10	O-ring (cal .177)	BK64
4.4.1	O-ring (cal .177)	BK64	4.10	O-ring (cal .22)	BK71
4.4	Liner Lock 5.22	19969	4.10	O-ring (cal .25)	BK75.3
4.4.1	O-ring (cal .22)	BK71	4.10	O-ring (cal .30)	BK81
4.4	Liner Lock .25	19970	4.11	O-ring (cal. .177, .22, .25)	BK82.3
4.4	Liner Lock .30	19971	4.11	O-ring (cal .30)	BK87.7
4.5	Barrel house 550mm, cal. .25, .30	19972	4.12	O-ring	BK82.3
4.5	Barrel house 435mm, cal. .177, .22	19973	4.13	Barrel inlet .177	19628
4.6	O-ring (cal .177)	BK60	4.13	Barrel inlet .22	19629
4.6	O-ring (cal .22)	BK53	4.13	Barrel inlet .25	19670
4.6	O-ring (cal .25)	BK57	4.13	Barrel inlet .30	19671
4.6	O-ring (cal .30)	BK61	4.14	O-ring (cal .177)	BK38
4.7	STX Liner .177	19964	4.14	O-ring (cal .22)	BK55
4.7	STX Liner .22	19965	4.14	O-ring (cal .25)	BK61
4.7	STX Liner .25	19966	4.14	O-ring (cal .30)	BK65.7
4.7	STX Liner .30	19967			
4.8	Shroud guide	19802			

Spare parts available at:  
[spares.bagnallandkirkwood.co.uk](http://spares.bagnallandkirkwood.co.uk)  
 For spare parts not listed please contact us using the reference codes above

TITLE: **Barrel cpl.**

DWG NO. F10061      ART NO.      A3

SCALE: 1:2      SHEET 1 OF 1

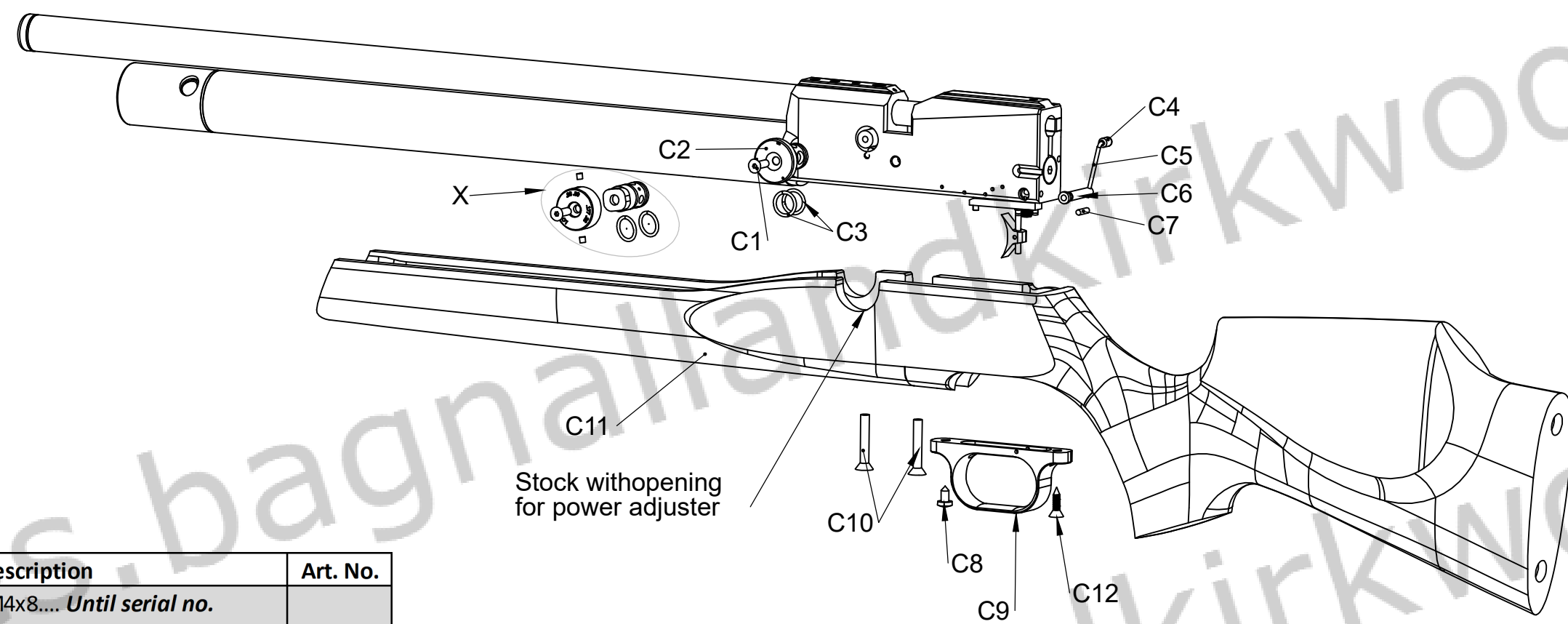
MATERIAL: **FXairguns**

DRAWN	NAME	DATE	CHANGE DATE

REVISION





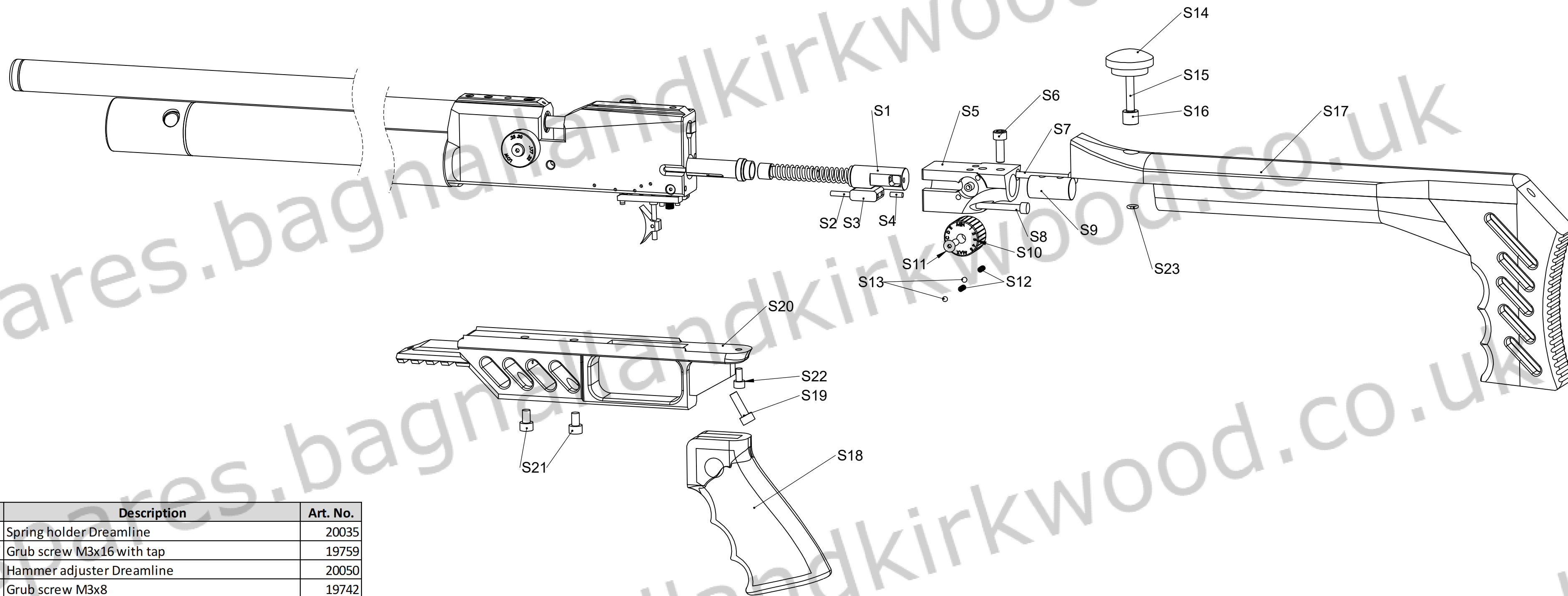


Position	Description	Art. No.
C1	Countersunk screw M4x8... <i>Until serial no. 190310 use Countersunk screw M4x10, art. No. 2505</i>	11511
C2	Power-adjuster, outer, Dreamline Classic, <i>Until serial no. 190310 use art. No. 20052</i>	20127
C3	O-ring 11.1x1.6 NBR90	19081
C4	Safety knob	11200
C5	Safety lever 32,5mm	19860
C6	Safety pivot Bullpup	20056
C7	Cub point grub screw M3x8	19742
C8	Screw coned 4,2x9,5	11006
C9	Triggerguard HW98	15008
C10	Countersunk screw M5x35	4525
C11	Stock Dreamline Walnut	19880
C12	Sheet metal screw 4,2x16	11622
X	Use X-parts if you have Stock with opening for power adjuster with house. For art. no. see drawing F10057 (parts pos. no. 23, 24, 25, 26, 69)	

Spare parts available at:  
[spares.bagnallandkirkwood.co.uk](http://spares.bagnallandkirkwood.co.uk)  
 For spare parts not listed please contact us using the reference codes above

TITLE: Dreamline Classic

MATERIAL:				DWG. NO. F10062		ART. NO.		A3
DRAWN	NAME	DATE	CHANGE DATE	REVISION	2	SCALE:1:3	SHEET 1 OF 1	



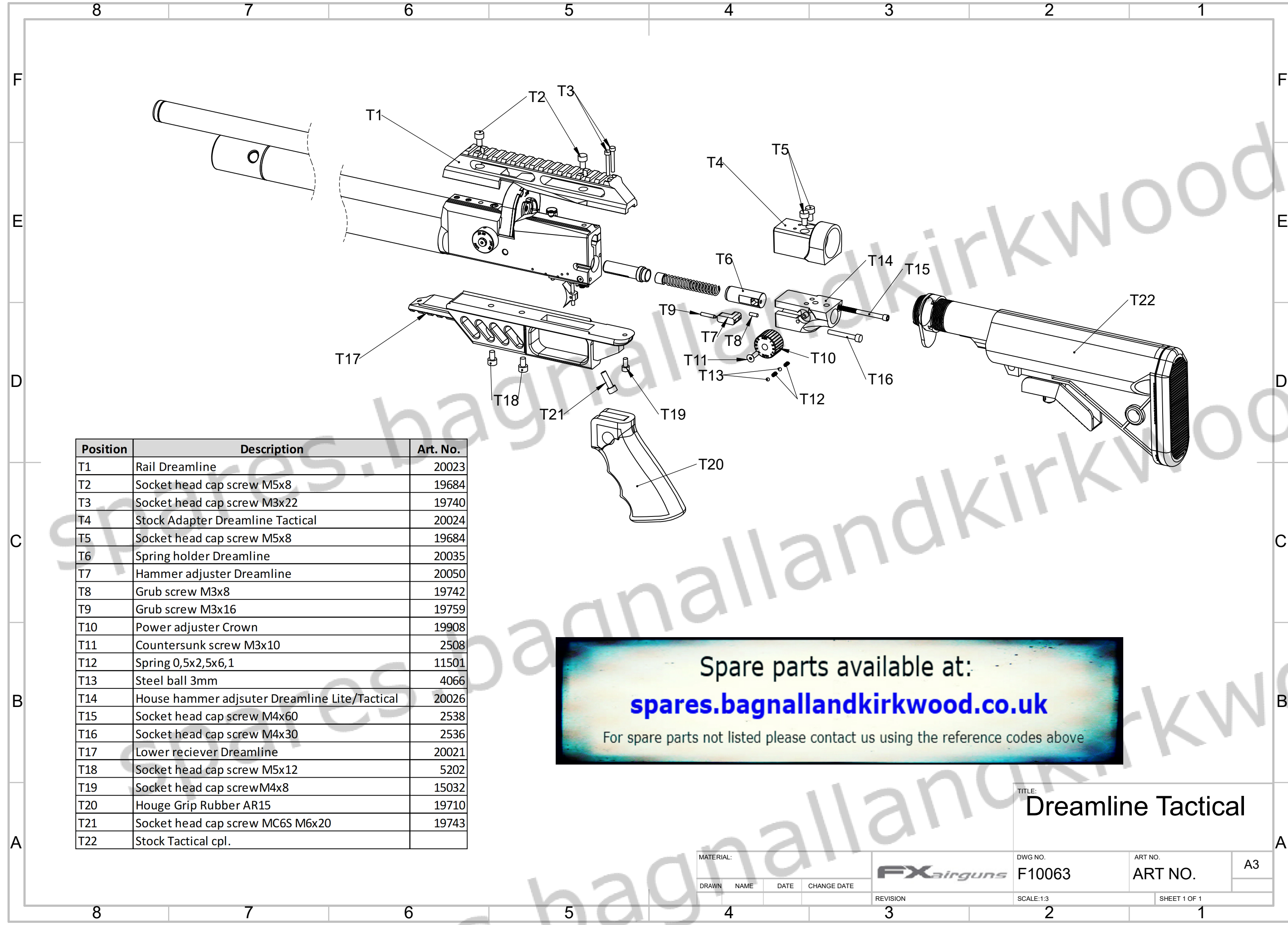
Position	Description	Art. No.
S1	Spring holder Dreamline	20035
S2	Grub screw M3x16 with tap	19759
S3	Hammer adjuster Dreamline	20050
S4	Grub screw M3x8	19742
S5	House hammer adjsuter Dreamline Lite/Tactical	20026
S6	Screw special Dreamline Lite	20075
S7	Socketed head cap screwM4x60	2538
S8	Socketed head cap screw M4x30	2536
S9	Piston hammer adjuster house	20057
S10	Power adjuster Crown	19908
S11	Countersunk screw M3x10	2508
S12	Spring 0,5x2,5x6,1	11501
S13	Steel ball 3mm	4066
S14	Locking wheel	16069
S15	Grub screw M5x35	5212
S16	Sleeve, Stock Dreamline Lite	20074
S17	Stock Dreamline Lite	20121
S18	Houge Grip Rubber AR15	19710
S19	Socketed head cap screw MC6S M6x20	19743
S20	Lower reciever Dreamline	20021
S21	Socketed head cap screw M5x12	5202
S22	Socketed head cap screw M4x8	15032
S23	O-ring 2,9 x 1,78 PUR 90	5107

Spare parts available at:  
[spares.bagnallandkirkwood.co.uk](http://spares.bagnallandkirkwood.co.uk)  
 For spare parts not listed please contact us using the reference codes above

TITLE: Dreamline Lite

MATERIAL:						DWG NO. F10059	ART NO. A2
DRAWN	NAME	DATE	CHANGE DATE	REVISION	SCALE:1:2	ART NO. SHEET 1 OF 1	





Position	Description	Art. No.
T1	Rail Dreamline	20023
T2	Socket head cap screw M5x8	19684
T3	Socket head cap screw M3x22	19740
T4	Stock Adapter Dreamline Tactical	20024
T5	Socket head cap screw M5x8	19684
T6	Spring holder Dreamline	20035
T7	Hammer adjuster Dreamline	20050
T8	Grub screw M3x8	19742
T9	Grub screw M3x16	19759
T10	Power adjuster Crown	19908
T11	Countersunk screw M3x10	2508
T12	Spring 0,5x2,5x6,1	11501
T13	Steel ball 3mm	4066
T14	House hammer adjsuter Dreamline Lite/Tactical	20026
T15	Socket head cap screw M4x60	2538
T16	Socket head cap screw M4x30	2536
T17	Lower reciever Dreamline	20021
T18	Socket head cap screw M5x12	5202
T19	Socket head cap screw M4x8	15032
T20	Houge Grip Rubber AR15	19710
T21	Socket head cap screw MC6S M6x20	19743
T22	Stock Tactical cpl.	

Spare parts available at:  
[spares.bagnallandkirkwood.co.uk](http://spares.bagnallandkirkwood.co.uk)  
 For spare parts not listed please contact us using the reference codes above

TITLE: Dreamline Tactical

MATERIAL:				DWG. NO. F10063		ART. NO.		A3	
DRAWN	NAME	DATE	CHANGE DATE	REVISION		SCALE: 1:3		SHEET 1 OF 1	